

Multi-function 1 output galvanically separated

Multi-function 1 output

Multi-function 1 output

Multi-function 2 outputs

EAN code:

RFSAI-61BPF-SL: 8595188189101

RFSAI-11B-SL: 8595188183758

RFSAI-61B-SL: 8595188182041

RFSAI-62B-SL: 8595188182010

Technical parameters

| | RFSAI-61BPF-SL | RFSAI-11B-SL | RFSAI-61B-SL | RFSAI-62B-SL |
|---------------------------|-----------------------------|--------------|--------------|--------------|
| Supply voltage: | 230 V AC | | | |
| Supply voltage frequency: | 50-60 Hz | | | |
| Apparent input: | 7 VA / $\cos \varphi = 0.1$ | | | |
| Dissipated power: | 0.7 W | | | |
| Supply voltage tolerance: | +10%; -15 % | | | |

Output

| | | |
|--------------------------------|---|-------------|
| Number of contacts: | 1x switching | 2xswitching |
| Rated current: | 8 A / AC1 | |
| Switching power: | 2000 VA / AC1 | |
| Peak current: | I _{peak} < 110A 300us / max. input capacity 125 uF | |
| Switching voltage: | 250 V AC1 | |
| Mechanical service life: | 1x10 ⁷ | |
| Electrical service life (AC1): | 1x10 ⁵ | |

Control

| | | | | |
|---------------------------|---|----------------|---|---|
| Wireless: | 25-channels | 2x 12-channels | | |
| Number of functions: | 6 | 1 | 6 | 6 |
| Communication protocol: | RFIO2 | | | |
| Frequency: | 866-922 MHz (for more information see p.72) | | | |
| Repeater function: | yes | | | |
| Manual control: | button PROG (ON/OFF) | | | |
| External button / switch: | yes | | | |
| Range: | in open space up to 200 m | | | |

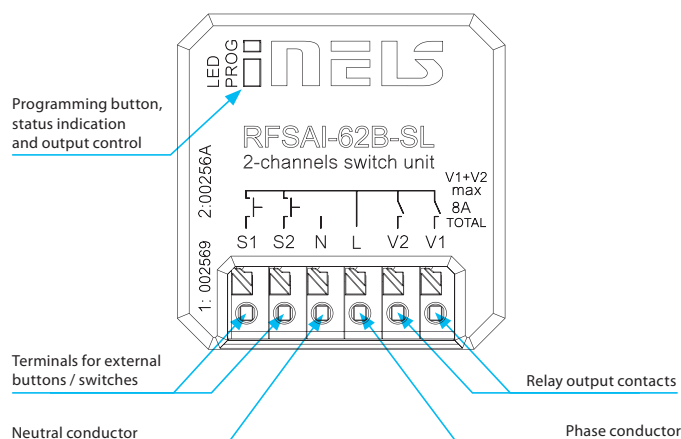
Other data

| | | | |
|------------------------|--|------|--|
| Operating temperature: | -15 to + 50 °C | | |
| Operating position: | any | | |
| Mounting: | free at lead-in wires | | |
| Protection: | IP40 | | |
| Overvoltage category: | III. | | |
| Contamination degree: | 2 | | |
| Connection: | screwless terminals | | |
| Connecting conductor: | 0.2-1.5 mm ² solid/flexible | | |
| Dimensions: | 43 x 44 x 22 mm | | |
| Weight: | 31g | 45 g | |
| Related standards: | EN 60730, EN 63044, EN 300 220, EN 301 489 | | |

Function description

1. Button, impulse relay and time functions of delayed start or return with time setting 2 s-60 min. Any function can be assigned to each output relay.
2. The programming button on the element also serves as a manual input control.

- The switching component with one/two output relays is used to control appliances and lights. Switches/buttons connected to the wiring can be used for control.
- They can be combined with Detectors, Controllers or iNELS RF Control System Components.
- The BOX-SL version offers installation directly in the installation box, ceiling or cover of the controlled appliance. Easy installation thanks to screwless terminals.
- It allows the connection of switched loads with a total sum of 8 A (2,000 W).
- Functions: for RFSAI 61B-SL, RFSAI 62B-SL and RFSAI-61BPF-SL - pushbutton, impulse relay and time functions of delayed start or return with time setting 2 s-60 min. Any function can be assigned to each output relay. For RFSAI-11B-SL, the button has a fixed function - ON / OFF.
- The external button is assigned in the same way as the wireless one.
- Each of the outputs can be controlled by up to 12/12 channels (1-channel represents one button on the controller). Up to 25 channels for RFSAI 61B-SL, RFSAI 62B-SL and RFSAI-61BPF-SL.
- The programming button on the component also serves as a manual output control.
- Possibility to set the output status memory in case of failure and subsequent power recovery.
- The elements of the repeater can be set for the components via the RFAF / USB service device, PC, application.
- Range up to 200 m (outdoors), in case of insufficient signal between the controller and the device, use the RFRP-20 signal repeater or component with the RFIO2 protocol that support this function.
- Communication with bidirectional RFIO2 protocol.
- The contact material of the AgSnO₂ relay enables switching of light ballasts.

Device description**Connection**