



EAN code

SJR-2/230V: 8595188116015

SJR-2/UNI: 8595188117401

Technical parameters

SJR-2

Power supply

Supply terminals:	A1 - A2
Voltage range:	AC/DC 12 - 240 V (AC 50/60 Hz)
Power input (max.):	2.5 VA/1.5 W
Voltage range:	AC 230 V (50/60 Hz)
Power input (max.):	AC 4VA/2W
Supply voltage tolerance:	-15 %; +10 %
Supply indication:	green LED

Function

Time ranges:	0.1 s - 10 days
Time setting:	rotary switch and potentiometer
Time deviation:	5 % - mechanical setting
Repeat accuracy:	0.2 % - set value stability
Temperature coefficient:	0.01 %/°C, at = 20 °C (0.01 %/°F, at = 68 °F)

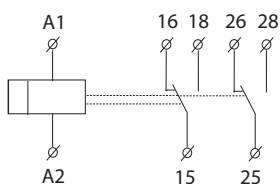
Output

Number of contacts:	2x changeover/DPDT (AgNi)
Current rating:	16 A/AC1
Breaking capacity:	4000 VA/AC1, 384 W/DC
Inrush current:	30 A/< 3 s
Switching voltage:	250V AC/24V DC
Max. power dissipation:	2.4 W
Output indication:	multifunction red LED
Mechanical life:	10.000.000 operations
Electrical life (AC1):	50.000 operations
Reset time:	max. 150 ms

Other information

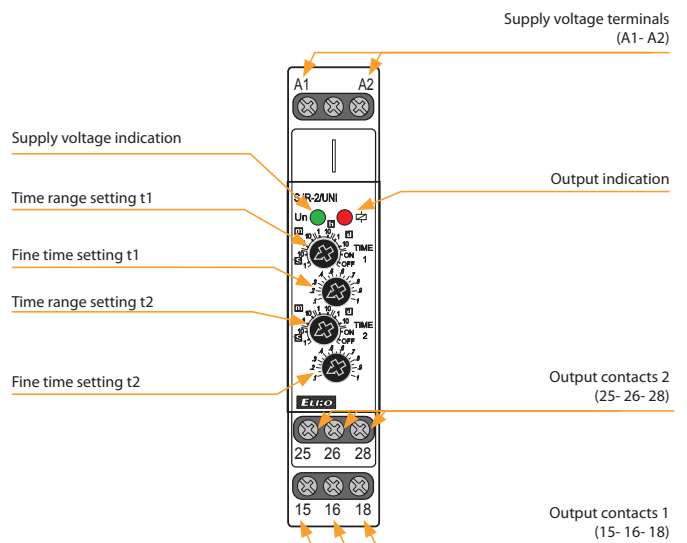
Operating temperature:	-20 °C to 55 °C (-4 °F to 131 °F)
Storage temperature:	-30 °C to 70 °C (-22 °F to 158 °F)
Dielectrical strength:	
supply - output 1	4 kV AC
supply - output 2	4 kV AC
output 1 - output 2	4 kV AC
Operating position:	any
Mounting:	DIN rail EN 60715
Protection degree:	IP40 from front panel/IP20 terminals
Overvoltage category:	III.
Pollution degree:	2
Max. cable size (mm ²):	solid wire max. 1x 2.5 or 2x1.5/ with sleeve max. 1x 2.5 (AWG 12)
Dimensions:	90 x 17.6 x 64 mm (3.5" x 0.7" x 2.5")
Weight:	UNI - 78 g (2.8 oz.), 230 - 75 g (2.6 oz.)
Standards:	EN 61812-1

Symbol

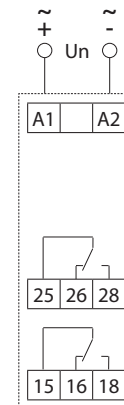


- For gradual switching of high power, prevents current strokes in the main.
- Double stage ON DELAY.
- Time scale 0.1 s - 10 days divided into 10 ranges:
0.1 s - 1 s/1 s - 10 s/0.1 min - 1 min/1 min - 10 min/0.1 hrs - 1 h/1 h - 10 hrs/0.1 day - 1 day/1 day - 10 days/only ON/only OFF.
- Times t1 and t2 are independantly adjustable.
- Time range setting via rotary switch.
- Voltage range: AC 230 V or AC/DC 12 - 240 V.
- Output contact: 2 x changeover/DPDT 16 A.
- Multifunction red LED flashes or shines depending on the operating status.

Description



Connection



Function

Double stage ON DELAY

